

- UL 555 & CAN/ULC-S112 Classified Static Fire Damper, 1 1/2 Hr. Label (File # R25565).
- NFPA 80, 90A & 101 compliant.
- NBC and IBC building codes compliant.



STANDARD CONSTRUCTION

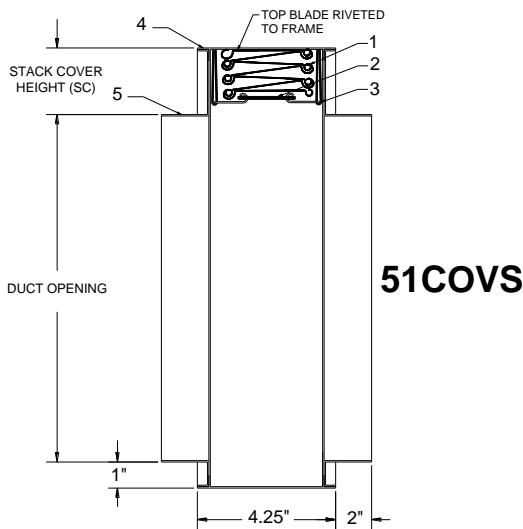
DEPTH: 4 1/4" (108).

FRAME: Roll formed 20 Ga. galvanized steel with hemmed edge.

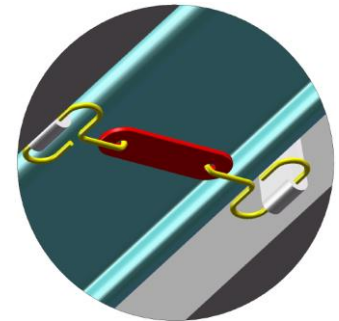
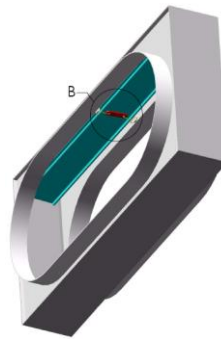
BLADE: Roll formed 22 Ga. galvanized steel. Interlocking curtain type blade.

FUSIBLE LINK: 165°F (74 C).

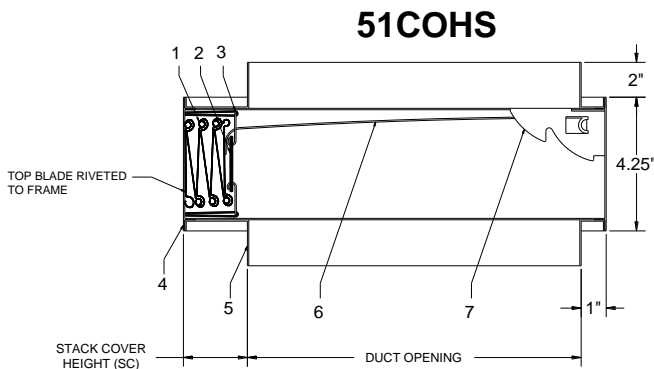
- OPTIONAL CONSTRUCTION**
- Factory supplied Sleeve (Required for all multiple section sizes; collars will be fastened to sleeve ends).
 - Sealed for medium/high pressure (up to 6" w.g./1.5 kPa).
 - Access Door factory mounted in a common sleeve.
 - 212°F (100 C) Fusible Link.
 - 1 1/2" x 1 1/2" Retaining Angles.



51COVS



DETAIL B



51COHS

MAINTENANCE RECOMMENDATIONS:

NFPA 80 advises that fire dampers be inspected and tested 1 year after installation, then every 4 years minimum (6 years for hospitals). More frequent inspections may be required due to system use and air conditions, or applicable local codes.

NOTES:

These static dampers are UL/ULC approved for use in HVAC systems where the fans automatically shut down in the event of a fire alarm. 1 1/2 hr. labeled fire dampers are suitable for use in fire separations with a fire resistance rating of 2 hours or less.

Fire dampers must be installed in accordance with manufacturer's instructions. Refer to Alumavent installation instructions for details.

FIRE DAMPER COMPONENTS

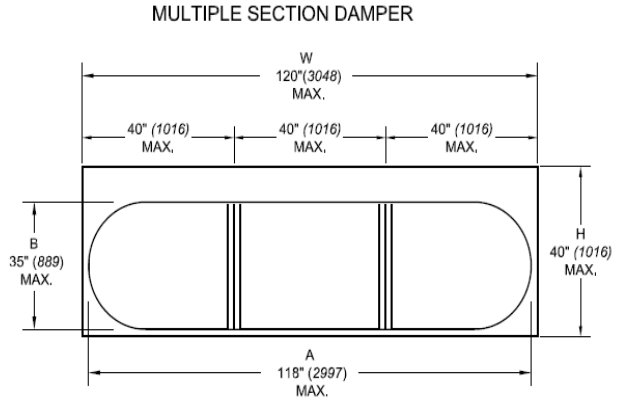
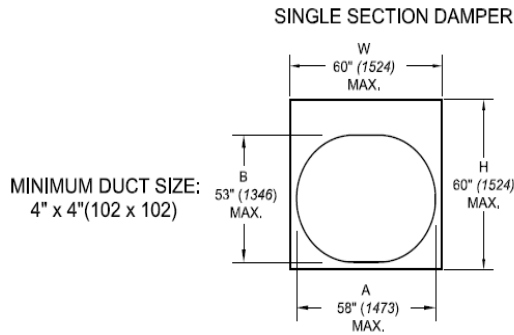
- | | |
|--------------------------|--------------------------|
| 1. Blade | 5. Oval Collar |
| 2. Fusible Link Assembly | 6. Lock Ramp |
| 3. Link Strap | 7. Constant Force Spring |
| 4. Frame | |

Dimensions are shown in inches (mm).

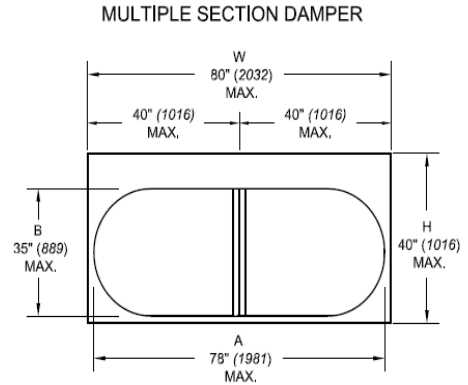
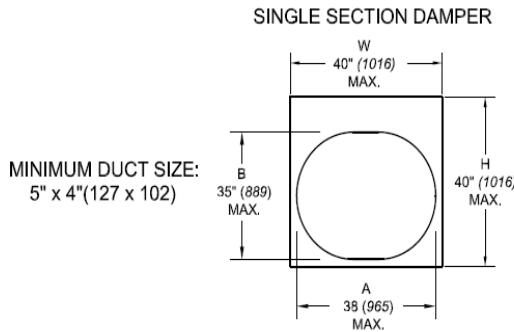
B	H
4 (102)	6 (152)
5 (127)	7 (178)
6 (152)	8 (203)
7 (178)	9 (229)
8 (203)	11 (279)
9 (229)	12 (305)
10 (254)	13 (330)
11 (279)	14 (356)
12 (305)	15 (381)
13 (330)	16 (406)
14 (356)	17 (432)
15 (381)	18 (457)
16 (406)	20 (508)
17 (432)	21 (533)
18 (457)	22 (559)
19 (483)	23 (584)
20 (508)	24 (610)
21 (533)	25 (635)
22 (559)	26 (660)
23 (584)	27 (686)
24 (610)	28 (711)
25 (635)	29 (737)
26 (660)	30 (762)
27 (686)	32 (813)
28 (711)	33 (838)
29 (737)	34 (864)
30 (762)	35 (889)
31 (787)	36 (914)
32 (813)	37 (940)
33 (838)	38 (965)
34 (864)	39 (991)
35 (889)	40 (1016)
36 (914)	42 (1067)
37 (940)	43 (1092)
38 (965)	44 (1118)
39 (991)	45 (1143)
40 (1016)	46 (1168)
41 (1041)	47 (1194)
42 (1067)	48 (1219)
43 (1092)	49 (1245)
44 (1118)	50 (1270)
45 (1143)	52 (1321)
46 (1168)	53 (1346)
47 (1194)	54 (1372)
48 (1219)	55 (1397)
49 (1245)	56 (1422)
50 (1270)	57 (1448)
51 (1295)	58 (1473)
52 (1321)	59 (1499)
53 (1346)	60 (1524)
W = A + 2" (51)	

UNITS: INCHES (MM)

VERTICAL



HORIZONTAL



NOTE: All multiple section sizes require a factory sleeve. Collars will be fastened to sleeve ends.

REF. #	QTY.	DUCT WIDTH (A)	DUCT HEIGHT (B)	MOUNT (V/H)	ACCESSORIES

DAMPER WILL BE MANUFACTURED APPROXIMATELY 1/4" (6) SMALLER THAN GIVEN DIMENSIONS.

PROJECT NAME:		ENGINEER:	
CONTRACTOR:		SUBMITTAL DATE:	

Dimensions are shown in inches (mm).

Information shown herein is subject to change without notice or obligation.

6/2017